

## LM185-2.5/LM285-2.5/LM385-2.5 Micropower Voltage Reference Diode

### General Description

The LM185-2.5/LM285-2.5/LM385-2.5 are micropower 2-terminal band-gap voltage regulator diodes. Operating over a 20  $\mu\text{A}$  to 20 mA current range, they feature exceptionally low dynamic impedance and good temperature stability. On-chip trimming is used to provide tight voltage tolerance. Since the LM-185-2.5 band-gap reference uses only transistors and resistors, low noise and good long term stability result.

Careful design of the LM185-2.5 has made the device exceptionally tolerant of capacitive loading, making it easy to use in almost any reference application. The wide dynamic operating range allows its use with widely varying supplies with excellent regulation.

The extremely low power drain of the LM185-2.5 makes it useful for micropower circuitry. This voltage reference can be used to make portable meters, regulators or general purpose analog circuitry with battery life approaching shelf life.

Further, the wide operating current allows it to replace older references with a tighter tolerance part. For applications requiring 1.2V see LM185-1.2.

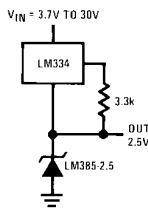
The LM185-2.5 is rated for operation over a  $-55^{\circ}\text{C}$  to  $125^{\circ}\text{C}$  temperature range while the LM285-2.5 is rated  $-40^{\circ}\text{C}$  to  $85^{\circ}\text{C}$  and the LM385-2.5  $0^{\circ}\text{C}$  to  $70^{\circ}\text{C}$ . The LM185-2.5/LM285-2.5 are available in a hermetic TO-46 package and the LM285-2.5/LM385-2.5 are also available in a low-cost TO-92 molded package, as well as S.O. The LM185-2.5 is also available in a hermetic leadless chip carrier package.

### Features

- $\pm 20$  mV ( $\pm 0.8\%$ ) max. initial tolerance (A grade)
- Operating current of 20  $\mu\text{A}$  to 20 mA
- $0.6\Omega$  dynamic impedance (A grade)
- Low temperature coefficient
- Low voltage reference—2.5V
- 1.2V device and adjustable device also available—LM185-1.2 series and LM185 series, respectively

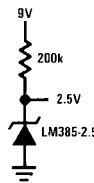
### Applications

#### Wide Input Range Reference



TL/H/5519-12

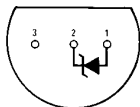
#### Micropower Reference from 9V Battery



TL/H/5519-2

### Connection Diagrams

#### TO-92 Plastic Package

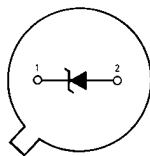


TL/H/5519-8

#### Bottom View

Order Number LM285Z-2.5,  
LM285AZ-2.5, LM285AXZ-2.5,  
LM285AYZ-2.5,  
LM285BXZ-2.5, LM285BYZ-2.5,  
LM385Z-2.5, LM385AZ-2.5,  
LM385AXZ-2.5, LM385AYZ-2.5,  
LM385BZ-2.5, LM385BXZ-2.5  
or LM385BYZ-2.5  
See NS Package Number Z03A

#### TO-46 Metal Can Package

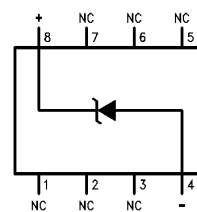


TL/H/5519-13

#### Bottom View

Order Number LM185H-2.5,  
LM185H-2.5/883  
LM185BXH-2.5, LM185BXH-2.5/883,  
LM185BYH-2.5, LM185BYH-2.5/883,  
LM285H-2.5, LM285BXH-2.5  
or LM285BYH-2.5  
See NS Package Number H02A

#### SO Package



TL/H/5519-11

Order Number LM285M-2.5,  
LM285AM-2.5, LM285AXM-2.5,  
LM285AYM-2.5, LM285BXM-2.5,  
LM285BYM-2.5, LM385M-2.5,  
LM385AM-2.5, LM385AXM-2.5,  
LM385AYM-2.5, LM385BM-2.5,  
LM385BXM-2.5 or LM385BYM-2.5  
See NS Package Number M08A

## Absolute Maximum Ratings (Note 1)

If Military/Aerospace specified devices are required, please contact the National Semiconductor Sales Office/Distributors for availability and specifications. (Note 2)

Reverse Current	30 mA
Forward Current	10 mA
Operating Temperature Range (Note 3)	
LM185-2.5	-55°C to + 125°C
LM285-2.5	-40°C to + 85°C
LM385-2.5	0°C to 70°C

Storage Temperature	-55°C to + 150°C
Soldering Information	
TO-92 Package (10 sec.)	260°C
TO-46 Package (10 sec.)	300°C
SO Package	
Vapor Phase (60 sec.)	215°C
Infrared (15 sec.)	220°C

See AN-450 "Surface Mounting Methods and Their Effect on Product Reliability" for other methods of soldering surface mount devices.

## Electrical Characteristics (Note 4)

Parameter	Conditions	Typ	LM285A-2.5 LM285AX-2.5 LM285AY-2.5		LM385A-2.5 LM385AX-2.5 LM385AY-2.5		Units (Limits)
			Tested Limit (Notes 5, 8)	Design Limit (Note 6)	Tested Limit (Note 5)	Design Limit (Note 6)	
Reverse Breakdown Voltage	$I_R = 100 \mu A$	2.500	2.480 2.520		2.480 2.520		V(Min) V(Max) V(Min) V(Max)
		<b>2.500</b>		<b>2.460</b> <b>2.535</b>		<b>2.470</b> <b>2.530</b>	
Minimum Operating Current		12	18	<b>20</b>	18	<b>20</b>	$\mu A$ (Max)
Reverse Breakdown Voltage Change with Current	$I_{MIN} \leq I_R \leq 1 mA$		1	<b>1.5</b>	1	<b>1.5</b>	mV (Max)
	$1 mA \leq I_R \leq 20 mA$		10	<b>20</b>	10	<b>20</b>	mV (Max)
Reverse Dynamic Impedance	$I_R = 100 \mu A$ , $f = 20 Hz$	0.2		0.6 <b>1.5</b>		0.6 <b>1.5</b>	$\Omega$
Wideband Noise (rms)	$I_R = 100 \mu A$ $10 Hz \leq f \leq 10 kHz$	120					$\mu V$
Long Term Stability	$I_R = 100 \mu A$ , $T = 1000 Hr$ , $T_A = 25^\circ C \pm 0.1^\circ C$	20					ppm
Average Temperature Coefficient (Note 7)	$I_{MIN} \leq I_R \leq 20 mA$ X Suffix Y Suffix All Others		<b>30</b> <b>50</b>		<b>30</b> <b>50</b>		ppm/ $^\circ C$ (Max)
				<b>150</b>		<b>150</b>	

## Electrical Characteristics (Continued) (Note 4)

Parameter	Conditions	Typ	LM185-2.5 LM185BX-2.5 LM185BY-2.5 LM285-2.5 LM285BX-2.5 LM285BY-2.5		LM385B-2.5 LM385BX-2.5 LM385BY-2.5		LM385-2.5		Units (Limit)
			Tested Limit (Notes 5, 8)	Design Limit (Note 6)	Tested Limit (Note 5)	Design Limit (Note 6)	Tested Limit (Note 5)	Design Limit (Note 6)	
Reverse Breakdown Voltage	$T_A = 25^\circ\text{C}$ , $20\ \mu\text{A} \leq I_R \leq 20\ \text{mA}$	2.5	2.462 2.538		2.462 2.538		2.425 2.575		V(Min) V(Max)
Minimum Operating Current		13	20	<b>30</b>	20	<b>30</b>	20	<b>30</b>	$\mu\text{A}$ (Max)
Reverse Breakdown Voltage Change with Current	$20\ \mu\text{A} \leq I_R \leq 1\ \text{mA}$		1	<b>1.5</b>	2.0	<b>2.5</b>	2.0	<b>2.5</b>	mV (Max)
	$1\ \text{mA} \leq I_R \leq 20\ \text{mA}$		10	<b>20</b>	20	<b>25</b>	20	<b>25</b>	mV (Max)
Reverse Dynamic Impedance	$I_R = 100\ \mu\text{A}$ , $f = 20\ \text{Hz}$	1							$\Omega$
Wideband Noise (rms)	$I_R = 100\ \mu\text{A}$ , $10\ \text{Hz} \leq f \leq 10\ \text{kHz}$	120							$\mu\text{V}$
Long Term Stability	$I_R = 100\ \mu\text{A}$ , $T = 1000\ \text{Hr}$ , $T_A = 25^\circ\text{C} \pm 0.1^\circ\text{C}$	20							ppm
Average Temperature Coefficient (Note 7)	$I_R = 100\ \mu\text{A}$ X Suffix Y Suffix All Others		<b>30</b>		<b>30</b>				ppm/ $^\circ\text{C}$
			<b>50</b>	<b>150</b>	<b>50</b>	<b>150</b>	<b>150</b>		ppm/ $^\circ\text{C}$
									ppm/ $^\circ\text{C}$ (Max)

**Note 1:** Absolute Maximum Ratings indicate limits beyond which damage to the device may occur. Operating Ratings indicate conditions for which the device is intended to be functional, but do not guarantee specific performance limits. For guaranteed specifications and test conditions, see the Electrical Characteristics. The guaranteed specifications apply only for the test conditions listed.

**Note 2:** Refer to RETS185H-2.5 for military specifications.

**Note 3:** For elevated temperature operation,  $T_{J\ \text{MAX}}$  is:

LM185	150°C
LM285	125°C
LM385	100°C

Thermal Resistance	TO-92	TO-46	SO-8
$\theta_{ja}$ (Junction to Ambient)	180°C/W (0.4" Leads) 170°C/W (0.125" Leads)	440°C/W	165°C/W
$\theta_{jc}$ (Junction to Case)	N/A	80°C/W	N/A

**Note 4:** Parameters identified with **boldface type** apply at temperature extremes. All other numbers apply at  $T_A = T_J = 25^\circ\text{C}$ .

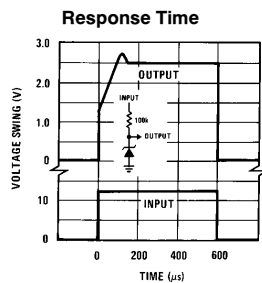
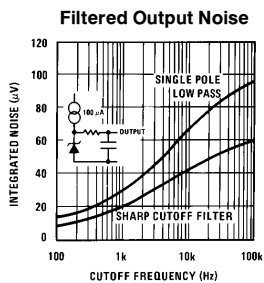
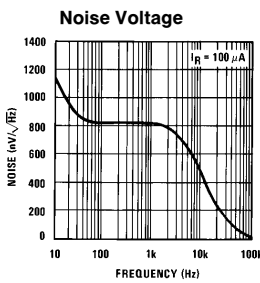
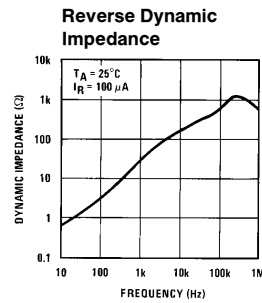
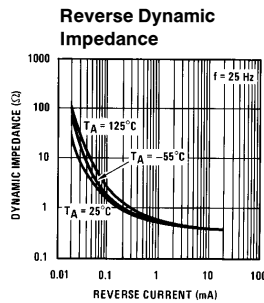
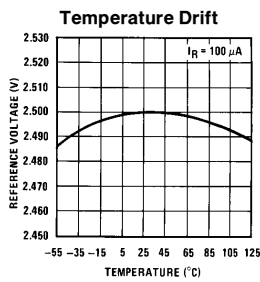
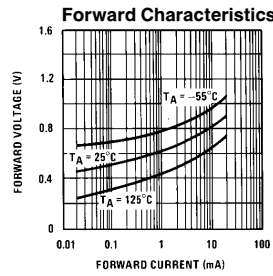
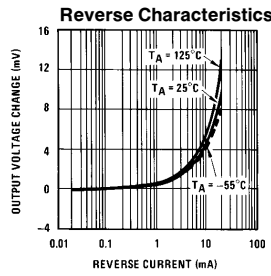
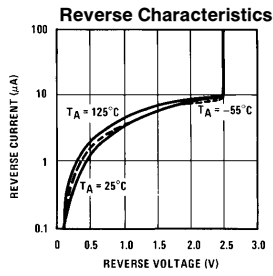
**Note 5:** Guaranteed and 100% production tested.

**Note 6:** Guaranteed, but not 100% production tested. These limits are not used to calculate average outgoing quality levels.

**Note 7:** The average temperature coefficient is defined as the maximum deviation of reference voltage at all measured temperatures between the operating  $T_{\text{MAX}}$  and  $T_{\text{MIN}}$ , divided by  $T_{\text{MAX}} - T_{\text{MIN}}$ . The measured temperatures are  $-55^\circ\text{C}$ ,  $-40^\circ\text{C}$ ,  $0^\circ\text{C}$ ,  $25^\circ\text{C}$ ,  $70^\circ\text{C}$ ,  $85^\circ\text{C}$ ,  $125^\circ\text{C}$ .

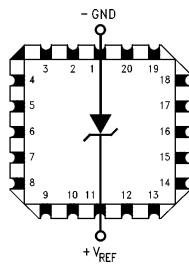
**Note 8:** A military RETS electrical specification available on request.

# Typical Performance Characteristics



TL/H/5519-3

## Connection Diagram

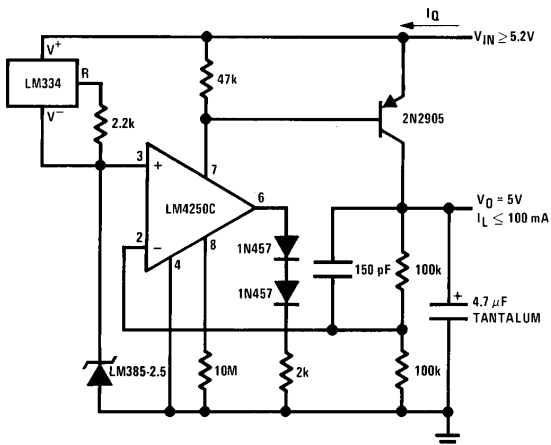


TL/H/5519-14

Order Number LM185E-2.5/883  
 See NS Package Number E20A

# LM385-2.5 Applications

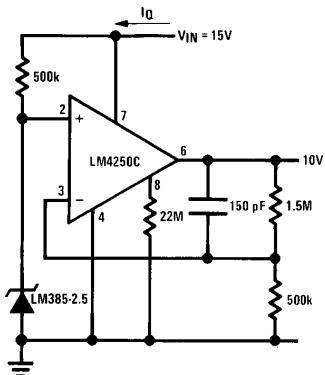
### Micropower\* 5V Regulator



\* $I_Q \approx 40 \mu A$

TL/H/5519-9

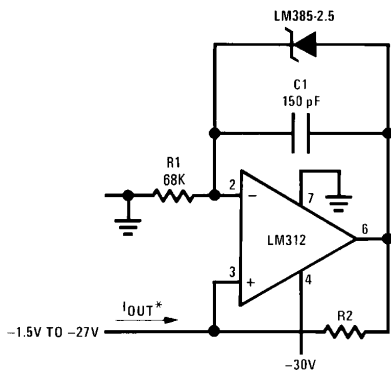
### Micropower\* 10V Reference



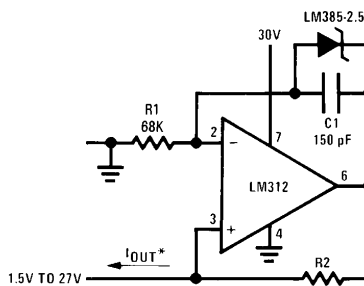
\* $I_Q \approx 30 \mu A$  standby current

TL/H/5519-10

### Precision 1 µA to 1 mA Current Sources



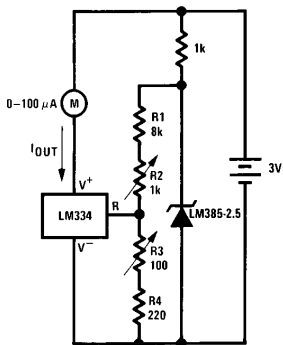
$$*I_{OUT} = \frac{2.5V}{R2}$$



TL/H/5519-4

## METER THERMOMETERS

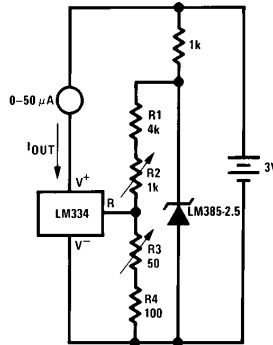
### 0°C–100°C Thermometer



#### Calibration

1. Short LM385-2.5, adjust R3 for  $I_{OUT} = \text{temp at } 1 \mu A/^{\circ}K$
2. Remove short, adjust R2 for correct reading in centigrade

### 0°F–50°F Thermometer



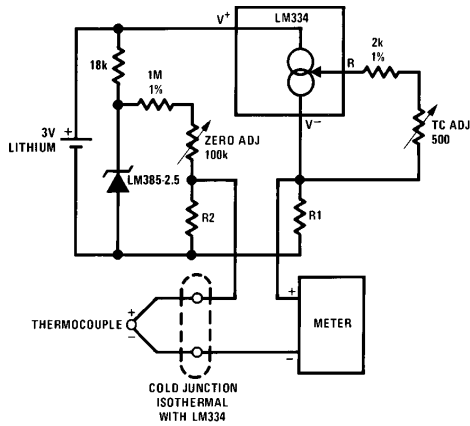
#### Calibration

1. Short LM385-2.5, adjust R3 for  $I_{OUT} = \text{temp at } 1.8 \mu A/^{\circ}K$
2. Remove short, adjust R2 for correct reading in °F

TL/H/5519-5

## LM385-2.5 Applications (Continued)

### Micropower Thermocouple Cold Junction Compensator



#### Adjustment Procedure

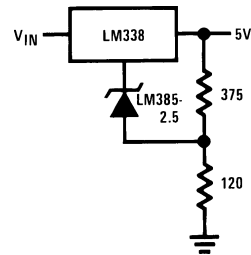
1. Adjust TC ADJ pot until voltage across R1 equals Kelvin temperature multiplied by the thermocouple Seebeck coefficient.
2. Adjust zero ADJ pot until voltage across R2 equals the thermocouple Seebeck coefficient multiplied by 273.2.

TL/H/5519-6

Thermocouple Type	Seebeck Co-efficient ( $\mu\text{V}/^\circ\text{C}$ )	R1 ( $\Omega$ )	R2 ( $\Omega$ )	Voltage Across R1 @ 25°C (mV)	Voltage Across R2 (mV)
J	52.3	523	1.24k	15.60	14.32
T	42.8	432	1k	12.77	11.78
K	40.8	412	953 $\Omega$	12.17	11.17
S	6.4	63.4	150 $\Omega$	1.908	1.766

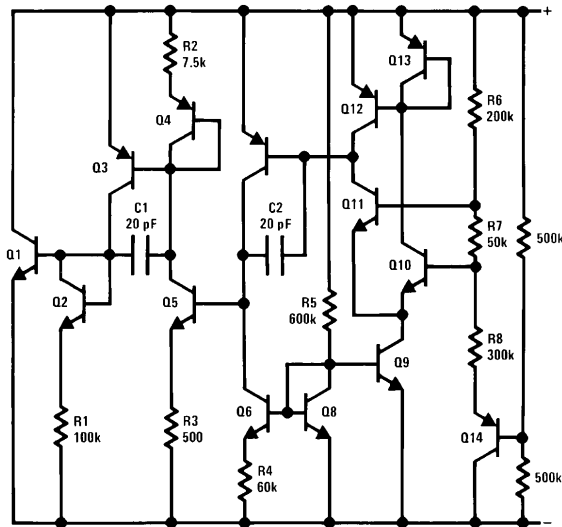
Typical supply current 50  $\mu\text{A}$

### Improving Regulation of Adjustable Regulators



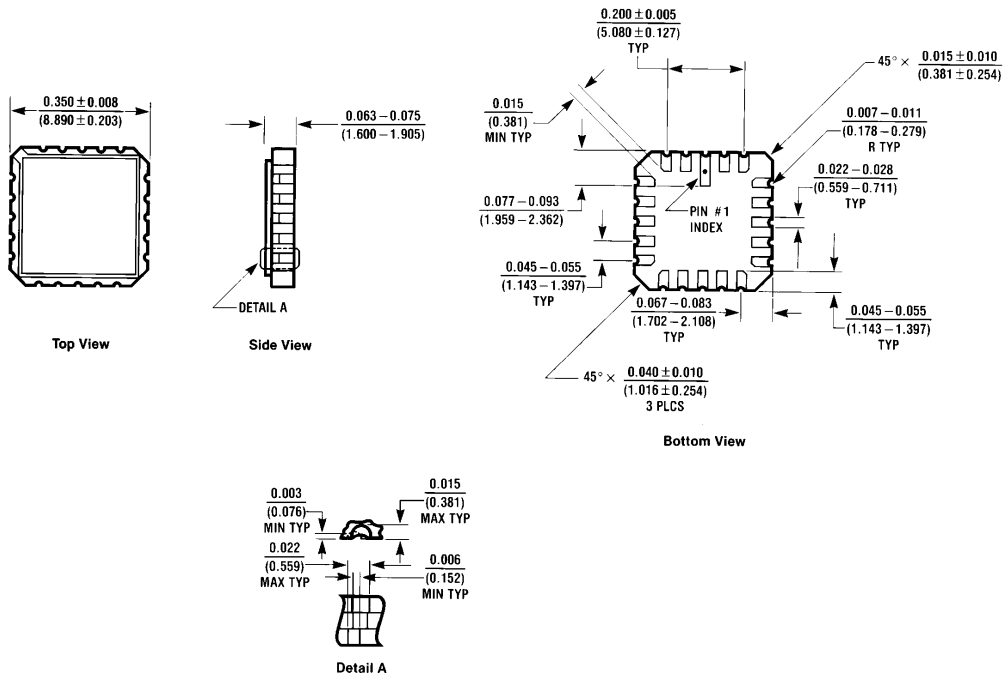
TL/H/5519-7

### Schematic Diagram



TL/H/5519-1

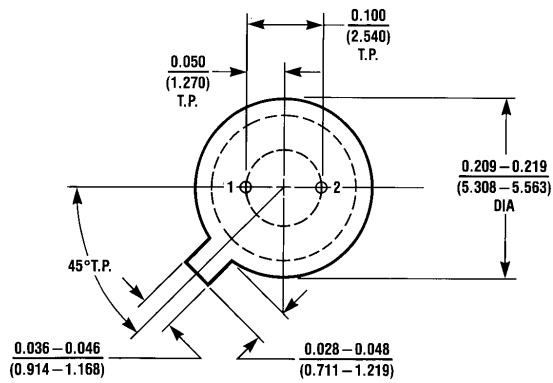
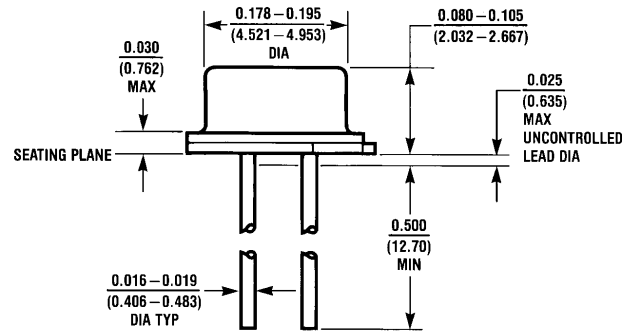
**Physical Dimensions** inches (millimeters)



Order Number LM185E-2.5/883  
 NS Package Number E20A

E20A (REV D)

**Physical Dimensions** inches (millimeters) (Continued)

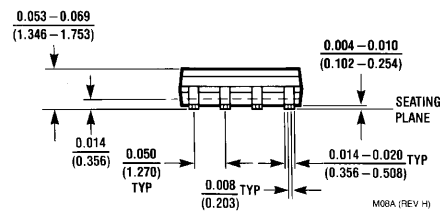
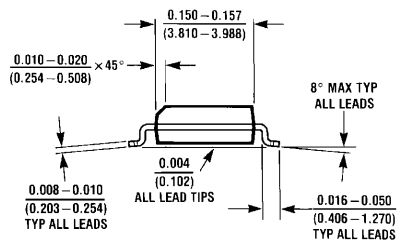
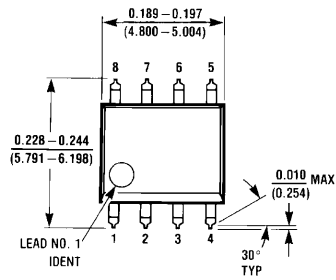


H02A (REV C)

**TO-46 Metal Can Package (H)**  
**Order Number LM185H-2.5, LM185H-2.5/883, LM185BXH-2.5, LM185BXH-2.5/883,**  
**LM185BYH-2.5, LM185BYH-2.5/883, LM285H-2.5, LM285BXH-2.5 or LM285BYH-2.5**  
**NS Package Number H02A**

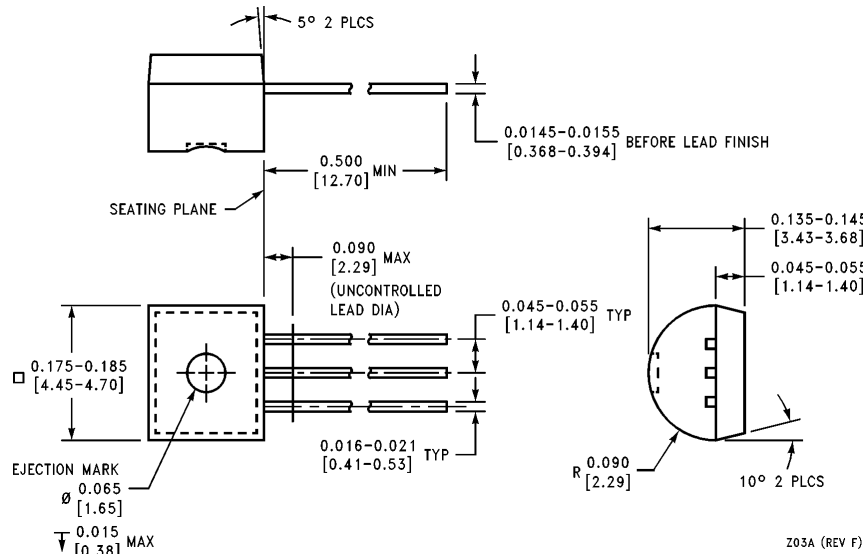


**Physical Dimensions** inches (millimeters) (Continued)



**Small Outline (SO-8) Package (M)**  
**Order Number LM285M-2.5, LM285AM-2.5, LM285AXM-2.5, LM285AYM-2.5,**  
**LM285BXM-2.5, LM285BYM-2.5, LM385M-2.5, LM385AM-2.5, LM385AXM-2.5,**  
**LM385AYM-2.5, LM385BM-2.5, LM385BXM-2.5 or LM385BYM-2.5**  
**NS Package Number M08A**

**Physical Dimensions** inches (millimeters) (Continued)



**TO-92 Plastic Package (Z)**  
**Order Number LM285Z-2.5, LM285AZ-2.5, LM285AXZ-2.5, LM285AYZ-2.5,**  
**LM285BXZ-2.5, LM285BYZ-2.5, LM385Z-2.5, LM385AZ-2.5, LM385AXZ-2.5,**  
**LM385AYZ-2.5, LM385BZ-2.5, LM385BXZ-2.5 or LM385BYZ-2.5**  
**NS Package Number Z03A**

**LIFE SUPPORT POLICY**

NATIONAL'S PRODUCTS ARE NOT AUTHORIZED FOR USE AS CRITICAL COMPONENTS IN LIFE SUPPORT DEVICES OR SYSTEMS WITHOUT THE EXPRESS WRITTEN APPROVAL OF THE PRESIDENT OF NATIONAL SEMICONDUCTOR CORPORATION. As used herein:

1. Life support devices or systems are devices or systems which, (a) are intended for surgical implant into the body, or (b) support or sustain life, and whose failure to perform, when properly used in accordance with instructions for use provided in the labeling, can be reasonably expected to result in a significant injury to the user.
2. A critical component is any component of a life support device or system whose failure to perform can be reasonably expected to cause the failure of the life support device or system, or to affect its safety or effectiveness.

 <p><b>National Semiconductor Corporation</b>                  2900 Semiconductor Drive                  P.O. Box 58090                  Santa Clara, CA 95052-8090                  Tel: (1800) 272-9959                  TWX: (910) 339-9240</p>	<p><b>National Semiconductor GmbH</b>                  Livny-Gargan-Str. 10                  D-82256 Fürstenfeldbruck                  Germany                  Tel: (81-41) 35-0                  Telex: 527849                  Fax: (81-41) 35-1</p>	<p><b>National Semiconductor Japan Ltd.</b>                  Sumitomo Chemical Engineering Center                  Bldg. 7F                  1-7-1, Nakase, Mihama-Ku                  Chiba-City,                  Ciba Prefecture 261                  Tel: (043) 299-2300                  Fax: (043) 299-2500</p>	<p><b>National Semiconductor Hong Kong Ltd.</b>                  13th Floor, Straight Block,                  Ocean Centre, 5 Canton Rd.                  Tsimshatsui, Kowloon                  Hong Kong                  Tel: (852) 2737-1600                  Fax: (852) 2736-9960</p>	<p><b>National Semicondutores Do Brazil Ltda.</b>                  Rue Deputado Lacorda Franco                  120-3A                  Sao Paulo-SP                  Brazil 05418-000                  Tel: (55-11) 212-5066                  Telex: 391-1131931 NSBR BR                  Fax: (55-11) 212-1181</p>	<p><b>National Semiconductor (Australia) Pty. Ltd.</b>                  Building 16                  Business Park Drive                  Monash Business Park                  Nottingham, Melbourne                  Victoria 3168 Australia                  Tel: (3) 558-9999                  Fax: (3) 558-9998</p>
---	---	---	---	--	--

National does not assume any responsibility for use of any circuitry described, no circuit patent licenses are implied and National reserves the right at any time without notice to change said circuitry and specifications.