

Features

- High intensity
- Wide viewing angle
- General purpose leads
- Reliable and rugged

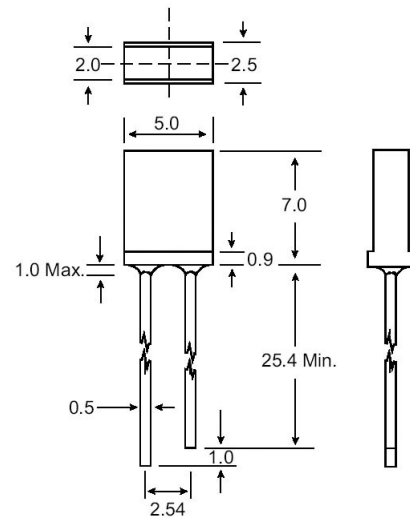
Absolute Maximum Ratings at Ta=25

Parameter	Max.	Unit
Power Dissipation	100	mW
Peak Forward Current (1/10 Duty Cycle, 0.1ms Pulse Width)	100	mA
Continuous Forward Current	40	mA
Derating Linear From 50	0.4	mA /
Reverse Voltage	5	V
Operating Temperature Range	-40 to +80	
Storage Temperature Range	-40 to +80	
Lead Soldering Temperature [4mm(.157") From Body]	260 for 5 Seconds	

Notes:

- All dimensions are in millimeters (inches).
- Protruded resin under flange is 1.0mm (.04") max.
- Lead spacing is measured where the leads emerge from the package.
- Viewing Angle $_{1/2}$ is the off-axis angle at which the luminous intensity is half the axial luminous intensity
- Specifications are subject to change without notice.

Package Dimensions



Unit: mm (inches)

Tolerance: ±0.25mm (.010") max

Part No.	Emitting Color	Lens Color	Peak Wavelength λ_p (nm)	Operating Voltage (V)		Output Sink Current Typ (mA)	Output Source Current Typ (mA)	Pulse Rate (Hz)		Viewing Angle $2\theta_{1/2}$ (Deg) (Note 4)
				Min	Typ			Min	Max	
EL-F25RU51	Ultra-Red	Diffused	628	3.0 – 5.0		45	25	2.0 – 2.8		100
EL-F25GU51	Ultra-Green	Diffused	570	3.0 – 5.0		45	25	2.0 – 2.8		100
EL-F25YU51	Ultra-Yellow	Diffused	590	3.0 – 5.0		45	25	2.0 – 2.8		100
EL-F25OU51	Ultra-Orange	Diffused	605	3.0 – 5.0		45	25	2.0 – 2.8		100
EL-F25R452	Ultra-Red	Water Clear	628	3.0 – 5.0		45	25	2.0 – 2.8		40
EL-F25G452	Ultra-Green	Water Clear	570	3.0 – 5.0		45	25	2.0 – 2.8		40
EL-F25Y452	Ultra-Yellow	Water Clear	590	3.0 – 5.0		45	25	2.0 – 2.8		40
EL-F25O452	Ultra-Orange	Water Clear	605	3.0 – 5.0		45	25	2.0 – 2.8		40
EL-F25B452	Ultra-Blue	Water Clear	470	4.5 – 5.0		45	25	2.0 – 2.8		40

Parameter

Output Sink Current
Output Source Current
Forward Voltage
Reverse Current

Test Condition

$I_f = 20\text{mA}$
 $I_r = 20\text{mA}$
 $I_f = 20\text{mA}$
 $I_r = 20\text{mA}$