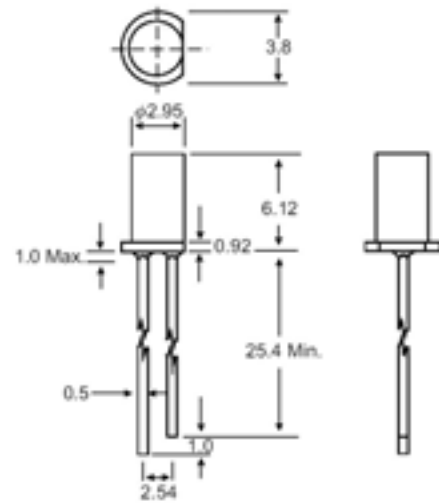


Features

- High intensity
- Wide viewing angle
- General purpose leads
- Reliable and rugged

Package Dimensions



Absolute Maximum Ratings at Ta=25

Parameter	Max.	Unit
Power Dissipation	100	mW
Peak Forward Current (1/10 Duty Cycle, 0.1ms Pulse Width)	100	mA
Continuous Forward Current	40	mA
Derating Linear From 50	0.4	mA /
Reverse Voltage	5	V
Operating Temperature Range	-40 to +80	
Storage Temperature Range	-40 to +80	
Lead Soldering Temperature [4mm(.157") From Body]	260 for 5 Seconds	

Notes:

1. All dimensions are in millimeters (inches).
2. Protruded resin under flange is 1.0mm (.04") max.
3. Lead spacing is measured where the leads emerge from the package.
4. Specifications are subject to change without notice.

Unit: mm (inches)

Tolerance: ±0.25mm (.010") max

Part No.	Emitting Color	Lens Color	Peak Wavelength λ_p (nm)	Vf (V) I _f = 20mA (Note E1)		Iv (mcd) (Note E2)		Viewing Angle 2 $\theta_{1/2}$ (Deg) (Note E3)
				Min	Typ	Min	Typ	
EL-3RU52	Ultra-Red	Water Clear	645	1.6	1.8	1300	2500	100
EL-3GU52	Ultra-Green	Water Clear	568	1.7	2.2	500	1000	100
EL-3YU52	Ultra-Yellow	Water Clear	588	1.7	1.95	850	1500	100
EL-3OU52	Ultra-Orange	Water Clear	610	1.6	2.0	1100	2400	100
EL-3RU53	Ultra-Red	Red Transparent	645	1.6	1.8	1300	2500	100
EL-3GU53	Ultra-Green	Green Transparent	568	1.7	2.2	450	1000	100
EL-3YU53	Ultra-Yellow	Yellow Transparent	588	1.7	2.0	850	1500	100
EL-3OU53	Ultra-Orange	Orange Transparent	610	1.6	2.0	1100	2400	100

Parameter

Luminous Intensity

Dominant Wavelength

Peak Emission Wavelength

Viewing Angle

Spectral Line Half-Width

Forward Voltage

Reverse Current

Test Condition

I_f = 20mA (Note E1. Luminous intensity is measured with a light sensor and filter combination that approximates the CIE eye-response curve.)

I_f = 20mA (Note E2: The dominant wavelength (λ_d) is derived from the CIE chromaticity diagram and represents the single wavelength which defines the color of the device.)

I_f = 20mA

(Note E3. $\theta_{1/2}$ is the off-axis angle at which the luminous intensity is half the axial luminous intensity.)

I_f = 20mA

I_r = 20mA

I_r = 20mA