

Features

- High intensity
- Wide viewing angle
- General purpose leads
- Reliable and rugged

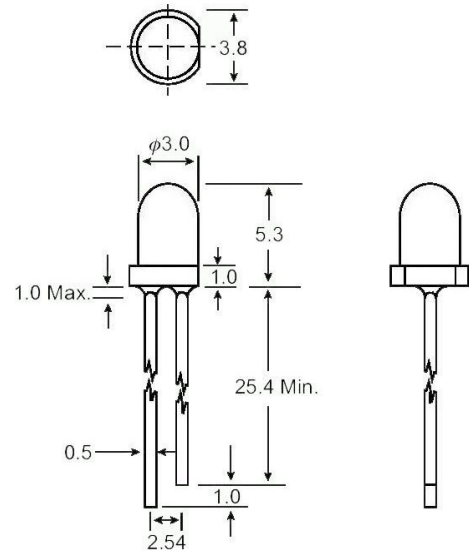
Absolute Maximum Ratings at Ta=25°C

Parameter	Max.	Unit
Power Dissipation	100	mW
Peak Forward Current (1/10 Duty Cycle, 0.1ms Pulse Width)	100	mA
Continuous Forward Current	40	mA
Pulse Forward Current	35	A
Derating Linear From 50°C	0.4	mA / °C
Reverse Voltage	5	V
Operating Temperature Range	-40°C to +80°C	
Storage Temperature Range	-40°C to +80°C	
Lead Soldering Temperature [4mm(.157") From Body]	260°C for 5 Seconds	

Notes:

1. All dimensions are in millimeters (inches).
2. Protruded resin under flange is 1.0mm (.04") max.
3. Lead spacing is measured where the leads emerge from the package.
4. $\theta_{1/2}$ the off-axis angle at which the luminous intensity is half the axial luminous intensity
5. Specifications are subject to change without notice.

Package Dimensions



Unit: mm (inches)

Tolerance: $\pm 0.25\text{mm}$ (.010") max.

Part No.	Lens Color	Peak Wavelength λ_p (nm)	Spectral Line Half-Width $\Delta\lambda$ (nm)	Forward Voltage V_f (V)		Radiant Intensity I_e (mW/Sr)		Viewing Angle $2\theta_{1/2}$ (Deg) (Note 4)
				Min	Typ	Min	Typ	
EL-304IR-B11	Water Clear	940	42	1.0	1.2	35	50	22
EL-IR304	Water Clear	940	42	1.0	1.2	45	58	22
EL-IR304-914	Water Clear	850	42	1.2	1.8	85	100	16
EL-IRT304	Blue Transparent	940	40	1.0	1.2	40	55	25
EL-IRT304-914	Blue Transparent	850	42	1.2	1.8	85	100	18

Parameter

Peak Emission Wavelength
Radiant Intensity
Spectral Line Half-Width
Forward Voltage

Test Condition

$I_f = 20\text{mA}$
 $I_f = 20\text{mA}$
 $I_f = 20\text{mA}$
 $I_f = 20\text{mA}$