

Features

- High intensity
- Wide viewing angle
- General purpose leads
- Reliable and rugged

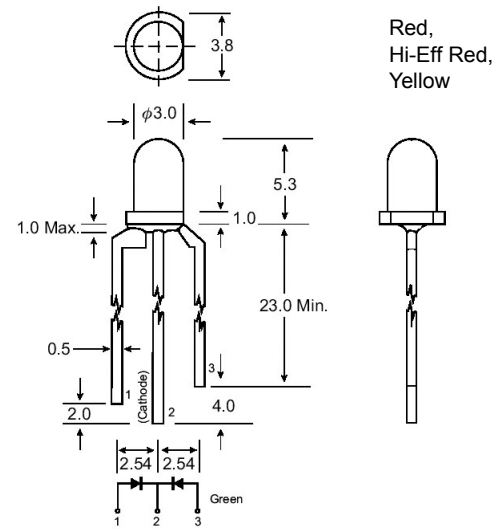
Absolute Maximum Ratings at Ta=25°C

Parameter	Max.	Unit
Power Dissipation	100	mW
Peak Forward Current (1/10 Duty Cycle, 0.1ms Pulse Width)	100	mA
Continuous Forward Current	40	mA
Derating Linear From 50°C	0.4	mA / °C
Reverse Voltage	5	V
Operating Temperature Range	-40°C to +80°C	
Storage Temperature Range	-40°C to +80°C	
Lead Soldering Temperature [4mm(.157") From Body]	260°C for 5 Seconds	

Notes:

1. All dimensions are in millimeters (inches).
2. Protruded resin under flange is 1.0mm (.04") max.
3. Lead spacing is measured where the leads emerge from the package.
4. Specifications are subject to change without notice.

Package Dimensions



Unit: mm (inches)

Tolerance: ± 0.25mm (.010") max.

Part No.	Emitting Color	Lens Color	Peak Wavelength λp (nm)	Vf (V) If = 20mA (Note E1)		Iv (mcd) (Note E2)		Viewing Angle 2θ _{1/2} (Deg) (Note E3)
				Min	Typ	Min	Typ	
EL-3RG332	Hi-Red	Water Clear	644	1.6	2.0	50	80	30
	Hi-Green		568	1.7	2.2	25	50	30
EL-3RG634	Hi-Red	White Diffused	644	1.6	2.0	20	40	60
	Hi- Green		568	1.7	2.2	15	30	60
EL-3YG634	Hi-Yellow	White Diffused	588	1.6	2.0	20	30	60
	Hi- Green		568	1.7	2.2	15	35	60

Parameter

Luminous Intensity

Dominant Wavelength

Peak Emission Wavelength

Viewing Angle

Spectral Line Half-Width

Forward Voltage

Reverse Current

Test Condition

If = 20mA (Note E1. Luminous intensity is measured with a light sensor and filter combination that approximates the CIE eye-response curve.)

If = 20mA (Note E2: The dominant wavelength (λd) is derived from the CIE chromaticity diagram and represents the single wavelength which defines the color of the device.)

If = 20mA

(Note E3. θ_{1/2} is the off-axis angle at which the luminous intensity is half the axial luminous intensity.)

If = 20mA

If = 20mA

If = 20mA