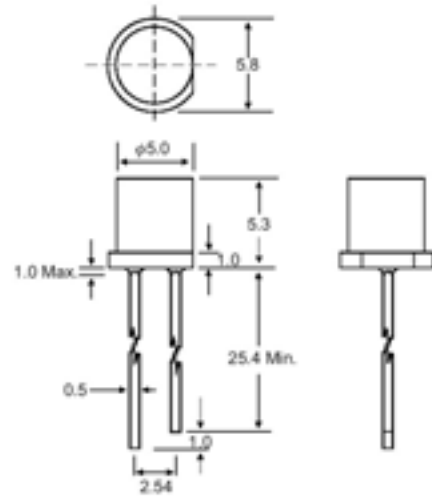


## Features

- High intensity
- Wide viewing angle
- General purpose leads
- Reliable and rugged

## Package Dimensions



## Absolute Maximum Ratings at Ta=25

Parameter	Max.	Unit
Power Dissipation	100	mW
Peak Forward Current (1/10 Duty Cycle, 0.1ms Pulse Width)	100	mA
Continuous Forward Current	40	mA
Derating Linear From 50	0.4	mA /
Reverse Voltage	5	V
Operating Temperature Range	-40 to +80	
Storage Temperature Range	-40 to +80	
Lead Soldering Temperature [4mm(.157") From Body]	260 for 5 Seconds	

### Notes:

1. All dimensions are in millimeters (inches).
2. Protruded resin under flange is 1.0mm (.04") max.
3. Lead spacing is measured where the leads emerge from the package.
4. Specifications are subject to change without notice.

Unit: mm (inches)

Tolerance: ±0.25mm (.010") max

Part No.	Emitting Color	Lens Color	Peak Wavelength $\lambda_p$ (nm)	Vf (V) If = 20mA (Note E1)		Iv (mcd) (Note E2)		Viewing Angle $2\theta_{1/2}$ (Deg) (Note E3)
				Min	Typ	Min	Typ	
EL-5RU52	Ultra-Red	Water Clear	645	1.6 – 1.8		1000 – 2000		120
EL-5GU52	Ultra-Green	Water Clear	568	1.7 – 2.2		500 – 1000		120
EL-5YU52	Ultra-Yellow	Water Clear	588	1.7 – 1.95		850 – 1500		120
EL-5OU52	Ultra-Orange	Water Clear	610	1.6 – 2.0		1000 – 2600		120
EL-5RU53	Ultra-Red	Red Transparent	645	1.6 – 1.8		1000 – 2000		120
EL-5GU53	Ultra-Green	Green Transparent	568	1.7 – 2.2		450 – 1000		120
EL-5YU53	Ultra-Yellow	Yellow Transparent	588	1.7 – 2.0		850 – 1500		120
EL-5OU53	Ultra-Orange	Orange Transparent	610	1.6 – 2.0		1000 – 2600		120

### Parameter

Luminous Intensity

Dominant Wavelength

Peak Emission Wavelength

Viewing Angle

Spectral Line Half-Width

Forward Voltage

Reverse Current

### Test Condition

If = 20mA (Note E1. Luminous intensity is measured with a light sensor and filter combination that approximates the CIE eye-response curve.)

If = 20mA (Note E2: The dominant wavelength ( $\lambda_d$ ) is derived from the CIE chromaticity diagram and represents the single wavelength which defines the color of the device.)

If = 20mA

(Note E3.  $\theta_{1/2}$  is the off-axis angle at which the luminous intensity is half the axial luminous intensity.)

If = 20mA

If = 20mA

If = 20mA