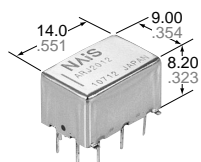


NAiS**SMD RELAYS
WITH 5GHz CAPABILITIES****RJ-RELAYS****FEATURES**

- **Excellent high frequency characteristics (50Ω, at 5GHz)**

V.S.W.R.: Max. 1.25
Insertion loss: Max. 0.5dB
Isolation: Min. 35dB

(Between open contacts)

Min. 30dB

(Between contact sets)

- **Surface mount terminal**

Surface mount terminals are now standard so there is much less work in designing PC boards.

- **Small size**

Size: 14.00 (L)×9.00 (W)×8.20 (H) mm
.551 (L)×.354 (W)×.323 (H) inch

**TYPICAL
APPLICATIONS****Measurement equipment market**

Attenuator circuits, spectrum analyzer, oscilloscope, mobile equipment, tester

Mobile telecommunication market

IMT2000, microwave communication

Medical instruments market**SPECIFICATIONS****Contact**

Arrangement	2 Form C		
Contact material	Gold alloy		
Initial contact resistance	Max. 150mΩ		
Rating	Contact rating	1W (at 5 GHz, Impedance 50 Ω, V.S.W.R. ≤ 1.25) 10mA 10V DC (resistive load)	
	Contact carrying power	1W (at 5 GHz, Impedance 50 Ω, V.S.W.R. ≤ 1.25)	
	Max. switching voltage	30 V DC	
	Max. switching current	0.3 A DC	
High frequency characteristics (Initial) (~5GHz, Impedance 50Ω)	V.S.W.R.	Max. 1.25	
	Insertion loss (without D.U.T. board's loss)	Max. 0.5dB	
	Isolation	Between open contacts	Min. 35dB
		Between contact sets	Min. 30dB
Input power	1W (at 5GHz, impedance 50Ω, V.S.W.R. ≤ 1.25, at 20°C)		
Expected life (min. operations)	Mechanical (at 180 cpm)	10 ⁷	
	Electrical (at 20cpm)	1W, at 5GHz, V.S.W.R. ≤ 1.25	10 ⁵
		10mA 10V DC (resistive load)	10 ⁶

Coil (at 20°C, 68°F)

	Nominal operating power
Single side stable	200 mW
2 coil latching	150 mW

Characteristics

Initial insulation resistance*1	Min. 500 MΩ (at 500 V DC)	
Initial breakdown voltage*2	Between open contacts	500 Vrms
	Between contact sets	500 Vrms
	Between contact and coil	500 Vrms
Operate time [Set time]*3 (at 20°C)	Max. 5ms	
Release time (without diode)[Reset time]*3 (at 20°C)	Max. 5ms	
Temperature rise (at 20°C)*4	Max. 50°C	
Shock resistance	Functional*5	Min. 500 m/s ²
	Destructive*6	Min. 1,000 m/s ²
Vibration resistance	Functional*7	10 to 55 Hz at double amplitude of 3 mm
	Destructive	10 to 55 Hz at double amplitude of 5 mm
Conditions for operation, transport and storage*8 (Not freezing and condensing at low temperature)	Ambient temp.	-30°C to 70°C -22°F to 158°F
	Humidity	5 to 85% R.H.
Unit weight	Approx. 3 g .11 oz	

Remarks

* Specifications will vary with foreign standards certification ratings.

*1 Measurement at same location as "Initial breakdown voltage" section.

*2 Detection current: 10mA

*3 Nominal operating voltage applied to the coil, excluding contact bounce time.

*4 By resistive method, nominal voltage applied to the coil, 5GHz, V.S.W.R. ≤ 1.25

*5 Half-wave pulse of sine wave: 6ms, detection time: 10μs.

*6 Pulse of sine wave: 11ms.

*7 Detection time: 10μs

*8 Refer to 6. Conditions for operation, transport and storage mentioned in NOTES

ORDERING INFORMATIONEx. ARJ

Contact arrangement	Operating function	Terminal shape	Coil voltage (DC)	Packing style
2: 2 Form C	0: Single side stable 2: 2 coil latching	Nil: Standard PC board terminal A: Surface-mount terminal	03: 3V 4H: 4.5V 12: 12V 24: 24V	Nil: Carton packing X: Tape end reel packing (picked from 1/2/3-pin side) Z: Tape and reel packing (picked from 6/7/8-pin side)

Note: Tape and reel packing symbol "-Z" is not marked on the relay. "X" type tape and reel packing (picked from 1/2/3-pin side) is also available. Suffix "X" instead of "Z".

TYPES AND COIL DATA (at 20°C 68°F)

1. Standard PC board terminal

- Packing of standard PC board terminal: 50 pcs. in an inner package (carton); 500 pcs. in an outer package

Operating function	Coil Rating, V DC	Part No.	Pick-up voltage, V DC (max.) (initial)	Drop-out voltage, V DC (min.) (initial)	Nominal operating current, mA (±10%)	Coil resistance, Ω (±10%)	Nominal operating power, mW	Max. allowable voltage, V DC
		Standard PC board terminal						
Single side stable	3	ARJ2003	2.25	0.3	66.6	45	200	3.3
	4.5	ARJ204H	3.375	0.45	44.4	101.2	200	4.95
	12	ARJ2012	9	1.2	16.6	720	200	13.2
	24	ARJ2024	18	2.4	8.3	2,880	200	26.4

Operating function	Coil Rating, V DC	Part No.	Set voltage, V DC (max.) (initial)	Reset voltage, V DC (min.) (initial)	Nominal operating current, mA (±10%)	Coil resistance, Ω (±10%)	Nominal operating power, mW	Max. allowable voltage, V DC
		Standard PC board terminal						
2 coil latching	3	ARJ2203	2.25	2.25	50	60	150	3.3
	4.5	ARJ224H	3.375	3.375	33.3	135	150	4.95
	12	ARJ2212	9	9	12.5	960	150	13.2
	24	ARJ2224	18	18	6.3	3,840	150	26.4

2. Surface-mount terminal

- Packing of surface-mount terminal: 50 pcs. in an inner package (carton); 500 pcs. in an outer package
- Packing of surface-mount terminal: 500 pcs. in an inner package (tape and reel); 500 pcs. in an outer package

Operating function	Coil Rating, V DC	Part No.		Pick-up voltage, V DC (max.) (initial)	Drop-out voltage, V DC (min.) (initial)	Nominal operating current, mA (±10%)	Coil resistance, Ω (±10%)	Nominal operating power, mW	Max. allowable voltage, V DC
		Carton packing	Tape and reel packing						
Single side stable	3	ARJ20A03	ARJ20A03Z	2.25	0.3	66.6	45	200	3.3
	4.5	ARJ20A4H	ARJ20A4HZ	3.375	0.45	44.4	101.2	200	4.95
	12	ARJ20A12	ARJ20A12Z	9	1.2	16.6	720	200	13.2
	24	ARJ20A24	ARJ20A24Z	18	2.4	8.3	2,880	200	26.4

Operating function	Coil Rating, V DC	Part No.		Set voltage, V DC (max.) (initial)	Reset voltage, V DC (min.) (initial)	Nominal operating current, mA (±10%)	Coil resistance, Ω (±10%)	Nominal operating power, mW	Max. allowable voltage, V DC
		Carton packing	Tape and reel packing						
2 coil latching	3	ARJ22A03	ARJ22A03Z	2.25	2.25	50	60	150	3.3
	4.5	ARJ22A4H	ARJ22A4HZ	3.375	3.375	33.3	135	150	4.95
	12	ARJ22A12	ARJ22A12Z	9	9	12.5	960	150	13.2
	24	ARJ22A24	ARJ22A24Z	18	18	6.3	3,840	150	26.4

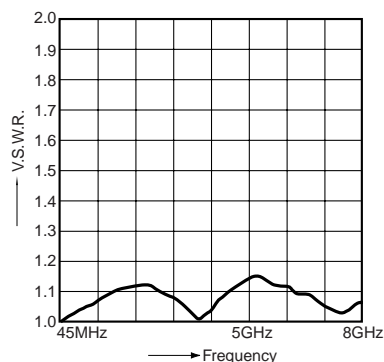
REFERENCE DATA

1. High frequency characteristics

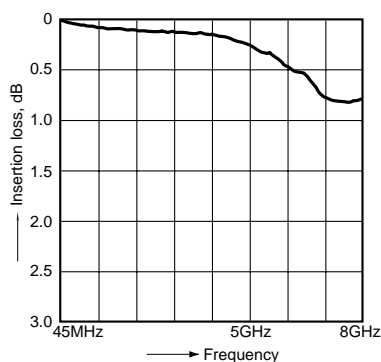
Sample: ARJ20A12

Measuring method: Measured with MEW PC board by HP network analyzer (HP8510C).

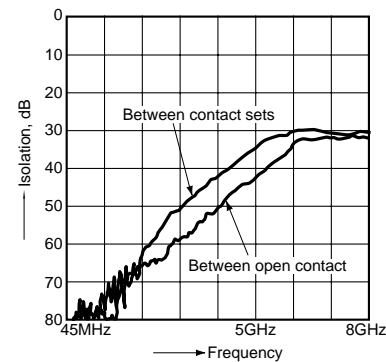
- V.S.W.R. characteristics



- Insertion loss characteristics (without D.U.T. board's loss)



- Isolation characteristics

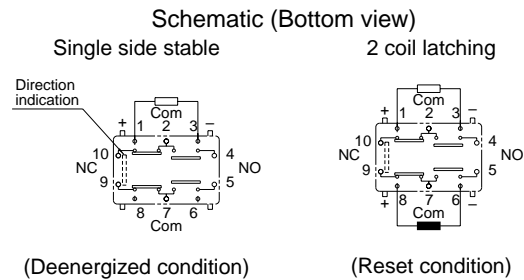
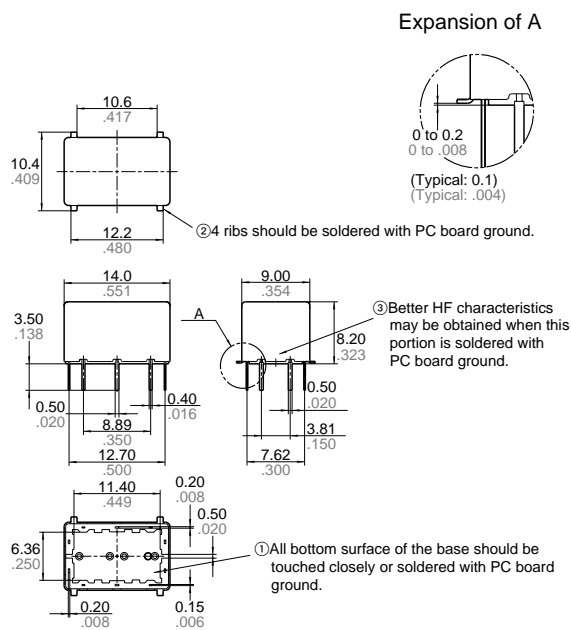
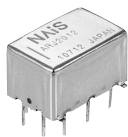


RJ(ARJ2)

DIMENSIONS

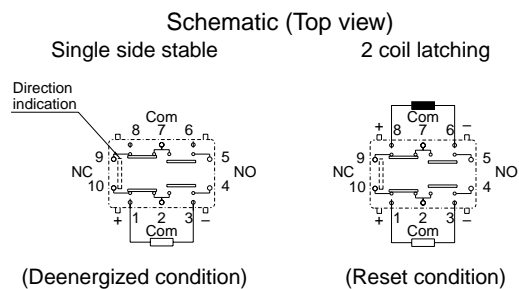
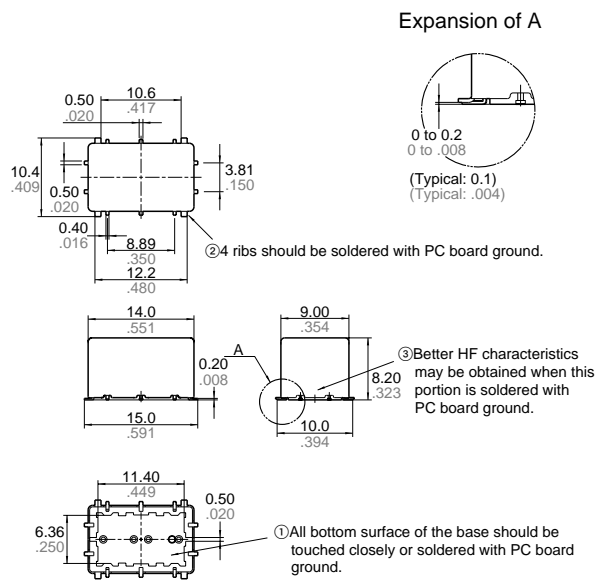
mm inch

1. Standard PC board terminal



General tolerance: $\pm 0.3 \pm .012$

2. Surface mount terminal



General tolerance: $\pm 0.3 \pm .012$

NOTES

1. Coil operating power

Pure DC current should be applied to the coil. The wave form should be rectangular. If it includes ripple, the ripple factor should be less than 5%.

However, check it with the actual circuit since the characteristics may be slightly different. The nominal operating voltage should be applied to the coil for more than 20 ms to set/reset the latching type relay.

2. Coil connection

When connecting coils, refer to the wiring diagram to prevent mis-operation or malfunction.

3. External magnetic field

Since RJ relays are highly sensitive polarized relays, their characteristics will be affected by a strong external magnetic field. Avoid using the relay under that condition.

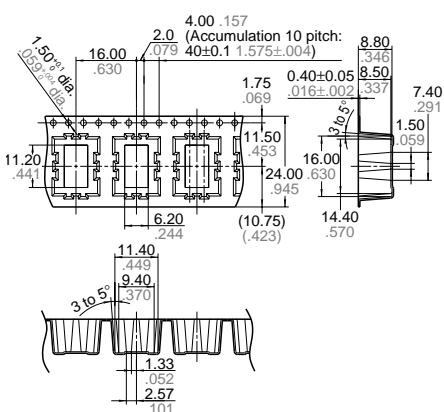
4. Cleaning

For automatic cleaning, the boiling method is recommended. Avoid ultrasonic cleaning which subjects the relays to high frequency vibrations, which may cause the contacts to stick.

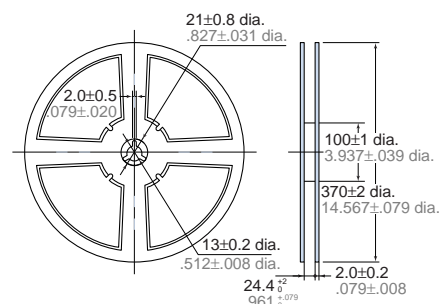
It is recommended that alcoholic solvents be used.

5. Tape and reel packing

1) Tape dimensions



2) Dimensions of plastic reel



6. Conditions for operation, transport and storage conditions

(1) Ambient temperature, humidity, and atmospheric pressure during usage, transport, and storage of the relay:

(1) Temperature:

-30 to +70°C -22 to +158°F

(However, tolerance range is -30 to

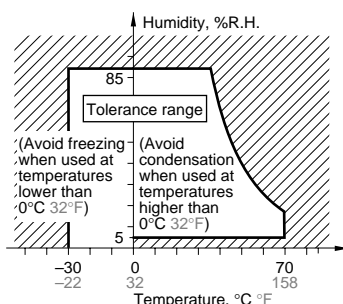
+60°C -22 to +140°F if package is carried as is.)

(2) Humidity: 5 to 85% RH

(Avoid freezing and condensation.)

The humidity range varies with the temperature. Use within the range indicated in the graph below.

(3) Atmospheric pressure: 86 to 106 kPa
Temperature and humidity range for usage, transport, and storage:



2) Condensation

Condensation forms when there is a sudden change in temperature under high temperature and high humidity conditions. Condensation will cause deterioration of the relay insulation.

3) Freezing

Condensation or other moisture may freeze on the relay when the temperature is lower than 0°C 32°F. This causes problems such as sticking of movable parts or operational time lags.

4) Low temperature, low humidity environments

The plastic becomes brittle if the relay is exposed to a low temperature, low humidity environment for long periods of time.

5) Storage procedures for surface-mount terminal types

Since the relay is very sensitive to humidity, it is packed in humidity-free, hermetically sealed packaging. When storing the relay, be careful of the following points:

- (1) Be sure to use the relay immediately after removing it from its sealed package.
- (2) When storing the relay for long periods of time after removing it from its sealed package, we recommend using a humidity-free bag with silica gel to prevent subjecting the relay to humidity.

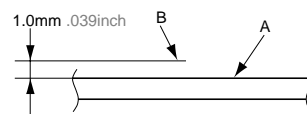
Furthermore, if the relay is solder mounted when it has been subjected to excessive humidity, cracks and leaks can occur. Be sure to mount the relay under the required mounting conditions.

7. Soldering

1) Surface-mount terminal

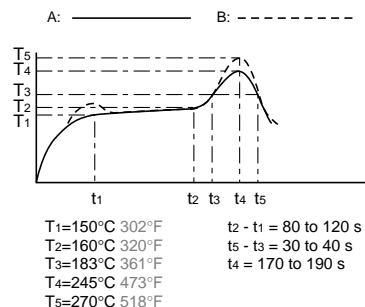
In case of automatic soldering, the following conditions should be observed

(1) Position of measuring temperature



A: Surface of PC board where relay is mounted.
B: Above the PC board surface.

(2) IR (infrared reflow) soldering method



Temperature rise of relay itself may vary according to the mounting level or the heating method of reflow equipment.

Therefore, please set the temperature of soldering portion of relay terminal and the top surface of the relay case not to exceed the above mentioned soldering condition. It is recommended to check the temperature rise of each portion under actual mounting condition before use.

2) Standard PC board terminal

Please meet the following conditions if this relay is to be automatically soldered.

- (1) Preheating: Max. 100°C 212°F (terminal solder surface) for max. 60 seconds
- (2) Soldering: Max. 250°C 482°F for max. 5 seconds

The effect on the relay depends on the actual substrate used. Please verify the substrate to be used.

3) Hand soldering

Please meet the following conditions if this relay is to be soldered by hand.

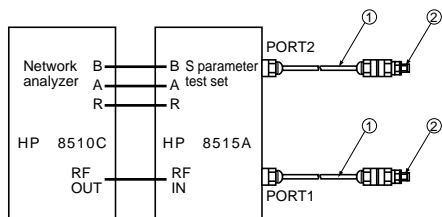
- (1) Wattage: 30 to 60 W
- (2) Tip temperature/time: 280 to 300°C 536 to 572°F for max. 5 seconds

The effect on the relay depends on the actual substrate used. Please verify the substrate to be used.

- (4) Avoid high frequency cleaning since this may adversely affect relay characteristics. Use alcohol-based cleaning solutions when cleaning relays.

RJ(ARJ2)

Measuring method (Impedance 50Ω)



Connector

No.	Product name	Contents
1	HP 85131-60013	3.5 mm testport, Extension cable
2	HP 83059	3.5 mm coaxial adaptor

- (Step 1) Calibrate the test system with HP calibration kit [HP85052B]
 (Step 2) After calibration, connect the D.U.T. board and measure. Connect 50 Ω terminals on connectors other than those for measurement.

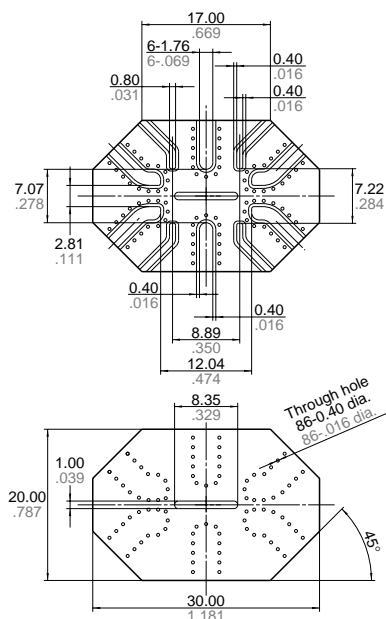
Notes)

- All bottom surface of the base should be touched closely or soldered with PC board ground.
- 4 ribs should be soldered with PC board ground.

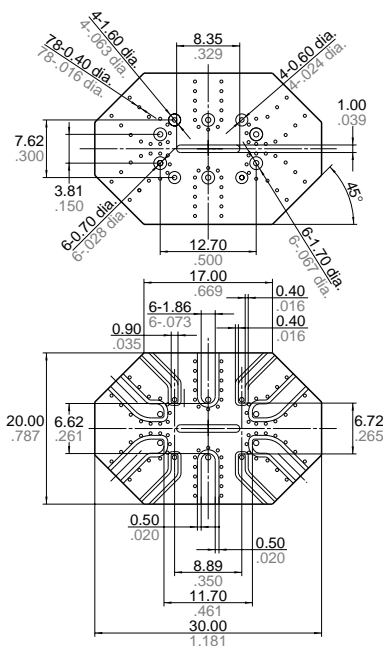
Measuring board

1) Dimensions

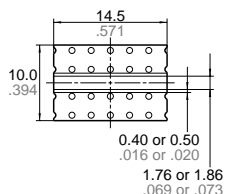
<Surface mount terminal>



<Standard PC board terminal>



<Calibration board>



2) Material: Glass PTFE double-sided through hole PC board R-4737 (Matsushita Electric Works)

3) Board thickness: $t = 0.8 \text{ mm}$

4) Copper plating: 18μm

• Connector (SMA type receptacle)

Product name: R125 510 (RADIALL)

Insertion loss compensation

The insertion loss of relay itself is given by subtracting the insertion loss of short-circuit the Com and the NC (or NO). (signal path and two connectors)

9. Others

1) The switching lifetime is defined under the standard test condition specified in the JIS* C 5442-1996 standard (temperature 15 to 35°C 59 to 95°F, humidity 25 to 75%). Check this with the real device as it is affected by coil driving circuit, load type, activation frequency, activation phase, ambient conditions and other factors. Also, be especially careful of loads such as those listed below.

• When used for AC load-operating and the operating phase is synchronous. Rocking and fusing can easily occur due to contact shifting.

• High-frequency load-operating

When high-frequency opening and closing of the relay is performed with a load that causes arcs at the contacts, nitrogen and oxygen in the air is fused by the arc energy and HNO_3 is formed. This can corrode metal materials.

Three countermeasures for these are listed here.

- Incorporate an arc-extinguishing circuit.
- Lower the operating frequency
- Lower the ambient humidity
- Use the relay within specifications such as coil rating, contact rating and on/off service life. If used beyond limits, the relay may overheat, generate smoke or catch fire.
- Be careful not to drop the relay. If accidentally dropped, carefully check its appearance and characteristics before use.
- Be careful to wire the relay correctly. Otherwise, malfunction, overheat, fire or other trouble may occur.

5) If a relay stays on in a circuit for many months or years at a time without being activated, circuit design should be reviewed so that the relay can remain non-excited. A coil that receives current all the time heats, which degrades insulation earlier than expected. A latching type relay is recommended for such circuits.

6) The latching type relay is shipped in the reset position. But jolts during transport or impacts during installation can change the reset position. It is, therefore, advisable to build a circuit in which the relay can be initialized (set and reset) just after turning on the power.

7) If silicone materials (e.g., silicone rubbers, silicone oils, silicone coating agents, silicone sealers) are used in the vicinity of the relay, the gas emitted from the silicone may adhere to the contacts of the relay during opening and closing and lead to improper contact. If this is the case, use a material other than silicone.

8) We recommend latching type when using in applications which involve lengthy duty cycles.

* Japanese Industrial Standards