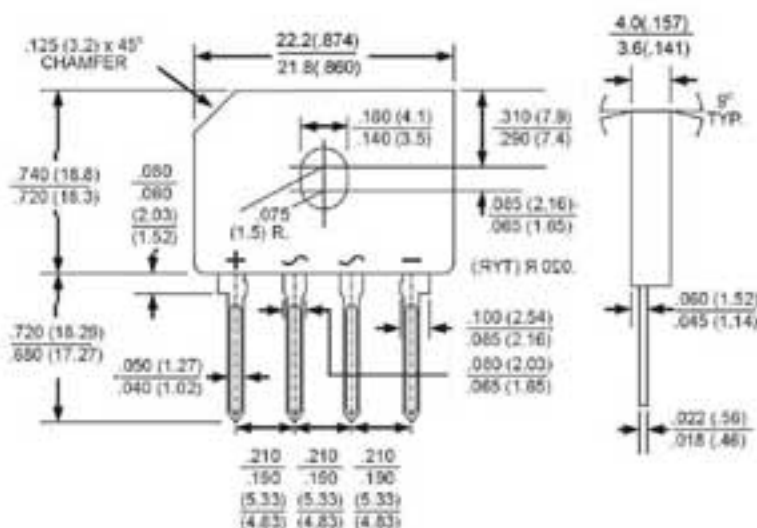


GLASS PASSIVATED BRIDGE RECTIFIERS

REVERSE VOLTAGE - 50 to 1000 Volts
FORWARD CURRENT - 8.0 Amperes

FEATURES

- Surge overload rating - 170 amperes peak
- Ideal for printed circuit board
- Reliable low cost construction utilizing molded plastic technique
- Plastic material has Underwriters Laboratory Flammability classification 94V-0
- Mounting Position: Any



Dimensions in inches and (millimeters)

MAXIMUM RATINGS AND ELECTRICAL CHARACTERISTICS

Rating at 25°C ambient temperature unless otherwise specified.
Single phase, half wave, 60Hz, resistive or inductive load.
For capacitive load, derate current by 20%

CHARACTERISTICS	SYMBOL	GBU 8005(G)	GBU 801(G)	GBU 802(G)	GBU 804(G)	GBU 806(G)	GBU 808(G)	GBU 810(G)	UNIT	
Maximum Recurrent Peak Reverse Voltage	V _{RRM}	50	100	200	400	600	800	1000	V	
Maximum RMS Voltage	V _{RMS}	35	70	140	280	420	560	700	V	
Maximum DC Blocking Voltage	V _{DC}	50	100	200	400	600	800	1000	V	
Maximum Average Forward Rectified Current @T _c =100°C (without heatsink)	I _{AV}	8.0				3.2				A
Peak Forward Surge Current 8.3ms single half sine-wave super imposed on rated load (JEDEC Method)	I _{FSM}	170								A
Maximum Forward Voltage at 4.0A DC	V _F	1.1								V
Maximum DC Reverse Current at Rated DC Blocking Voltage	I _R					5.0				uA
						500				
I ² t Rating for fusing (t<8.3ms)	I ² t	166								A ² S
Typical Junction Capacitance per element (Note 1)	C _J	60								pF
Typical Thermal Resistance (Note 2)	R _{θJC}	2.2								°C/W
Operating Temperature Range	T _J	-55 to +150								°C
Storage Temperature Range	T _{STG}	-55 to +150								°C

NOTES: 1. Measured at 1.0MHz and applied reverse voltage of 4.0V DC.
2. Device mounted on 100mm x 100mm x 1.6mm Cu Plate Heatsink.