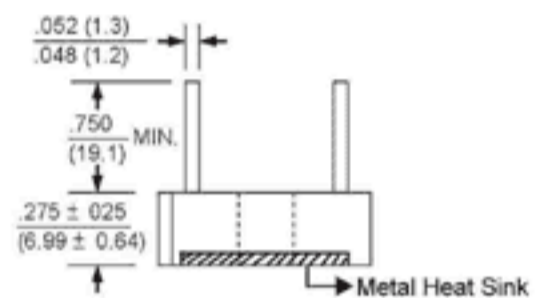
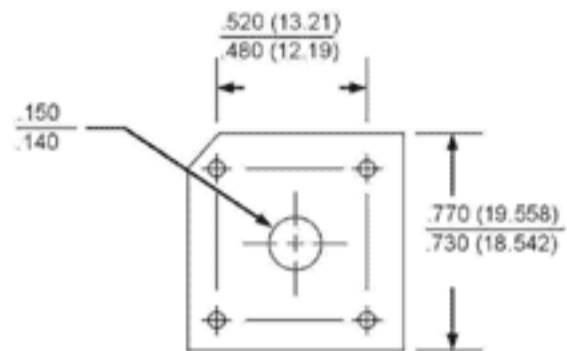


SINGLE-PHASE SILICON BRIDGE

REVERSE VOLTAGE - 50 to 1000 Volts
FORWARD CURRENT - 10.0 Amperes

FEATURES

- Surge overload rating - 200 amperes peak
- Low forward voltage drop
- Small size; simple installation
- Silver Plated Copper Leads
- Mounting Position: Any
- Case: Molded plastic with Heatsink internally mounted in the bridge encapsulation



Polarity shown on side of case:
positive lead by beveled corner.

Dimensions in inches and (millimeters)

MAXIMUM RATINGS AND ELECTRICAL CHARACTERISTICS

Rating at 25°C ambient temperature unless otherwise specified.
For capacitive load, derate current by 20%

CHARACTERISTICS	MP10005	MP1001	MP1002	MP1004	MP1006	MP1008	MP1010	UNIT
Maximum Recurrent Peak Reverse Voltage	50	100	200	400	600	800	1000	V
Maximum RMS Bridge Input Voltage	35	70	140	280	420	560	700	V
Maximum Average Forward Rectified Output Current at T _C =50°C T _C =100°C (Note 1) T _A =50°C (Note 2)	10.0 6.0 6.0							A
Peak Forward Surge Current, 8.3ms single half sine-wave super imposed on rated load	200							A
Maximum Forward Voltage Drop per Bridge Element at 5.0A Peak	1.0							V
Maximum Reverse Current at Rated DC Blocking Voltage per Element T _A =25°C T _A =100°C	10.0 1.0							μA mA
Operating Temperature Range T _C	-40 to +125							°C
Storage Temperature Range T _A	-40 to +125							°C

NOTES: 1. Unit mounted on metal chassis
2. Unit mounted on P.C. board